

HITACHI

SERVICE MANUAL

No. 0046E

CM811ET
CM812ET
CM813U/ET
CM815ET

DJ81 Chassis

(V1.2)

CAUTION: Before servicing this chassis, it is important that the service personnel must read the "Safety Precautions" and "Product Safety Notice" in this Service Manual.

CONTENTS

GENERIC SAFETY PRECAUTIONS	2
FEATURES	3
SAFETY PRECAUTIONS	3
CHECK OF HIGH VOLTAGE HOLD DOWN CIRCUIT	3
PRODUCT SAFETY NOTICE	4
SPECIFICATIONS	4
CONTROLS	5
SIGNAL TIMING CHART	6
DISCRIPTION OF CIRCUIT	8
TROUBLESHOOTING	21
ADJUSTMENTS.....	24
BLOCK DIAGRAM	29
BASIC CIRCUIT DIAGRAM	30
PRINTED WIRING BOARD	34
WIRING DIAGRAM	38
REPLACEMENT PART LIST	39

SPECIFICATIONS AND PARTS ARE SUBJECT TO CHANGE FOR IMPROVEMENT.

HIGH RESOLUTION COLOR DISPLAY MONITOR

(MAY 1998)

GENERIC SAFETY PRECAUTIONS

WARNING: The following precautions must be observed

ALL PRODUCTS

Before any service is performed on the chassis an isolation transformer should be inserted between the power line and the product.

1. When replacing the chassis in the cabinet, ensure all the protective devices are put back in place.
2. When service is required, observe the original lead dressing. Extra precaution should be taken to ensure correct lead dressing in any high voltage circuitry area.
3. Many electrical and mechanical parts in HITACHI products have special safety related characteristics. These characteristics are often not evident from visual inspection, nor can the protection afforded by them necessarily be obtained by using replacement components rated for higher voltage, wattage, etc. Replacement parts which have these special safety characteristics are identified by marking with a Δ on the schematics and the replacement parts list. The use of a substitute replacement component that does not have the same safety characteristics as the HITACHI recommended replacement one, shown in the parts list, may create electrical shock, fire, X-radiation, or other hazards.
4. Always replace original spacers and maintain lead lengths. Furthermore, where a short circuit has occurred, replace those components that indicate evidence of overheating.
5. Insulation resistance should not be less than 2M ohms at 500V DC between the main poles and any accessible metal parts.
6. No flashover or breakdown should occur during the dielectric strength test, applying 3kV AC or 4.25kV DC for two seconds between the main poles and accessible metal parts.
7. Before returning a serviced product to the customer, the service technician must thoroughly test the unit to be certain that it is completely safe to operate without danger of electrical shock. The service technician must make sure that no protective device built into the instrument by the manufacturer has become defective, or inadvertently damaged during servicing.

CE MARK

1. HITACHI products may contain the CE mark on the rating plate indicating that the product contains parts that have been specifically approved to provide electromagnetic compatibility to designated levels.
2. When replacing any part in this product, please use only the correct part itemised in the parts list to ensure this standard is maintained, and take care to replace lead dressing to its original state, as this can have a bearing on the electromagnetic radiation/immunity.

PICTURE TUBE

1. The line output stage can develop voltages in excess of 25kV; if the E.H.T. cap is required to be removed, discharge the anode to chassis via a high value resistor, prior to its removal from the picture tube.
2. High voltage should always be kept at the rated value of the chassis and no higher. Operating at higher voltages may cause a failure of the picture tube or high voltage supply, and also, under certain circumstances could produce X-radiation levels moderately in excess of design levels. The high voltage must not, under any circumstances, exceed 29kV on the chassis (except for projection Televisions).
3. The primary source of X-radiation in the product is the picture tube. The picture tube utilised for the above mentioned function in this chassis is specially constructed to limit X-radiation. For continued X-radiation protection, replace tube with the same type as the original HITACHI approved type
4. Keep the picture tube away from the body while handling. Do not install, remove, or handle the picture tube in any manner unless shatterproof goggles are worn. People not so equipped should be kept away while picture tubes are handled

LASERS

If the product contains a laser avoid direct exposure to the beam when the cover is open or when interlocks are defeated or have failed.

FEATURES

1. Flat screen CRT with anti-glare, dynamic focus circuit, dark glass, and INVAR shadow mask give the sharpest focus and highest contrast.
2. Automatic scanning and automatic adjustment to conform with a wide range of scanning frequencies and user requirements.
3. Signal input allows D-Sub Min 15pin cable.
4. Power Save Mode automatically puts the monitor into a standby mode (power consumption less than 15W) when the H.sync. signal is not detected, and a power-off mode (less than 5W) when the V.sync. signal is not detected. Normal mode is restored immediately when the H. sync. signal and the V.sync signal are detected. This feature prolongs monitor life and reduces energy consumption by up to about 75%.

SAFETY PRECAUTIONS

NOTICE: Comply with all cautions and safety related notes located on or inside the cabinet and on the chassis or picture tube.

The following precautions must be observed.

1. Do not install, remove, or handle the picture tube in any manner unless shatterproof goggles are worn. People not so equipped should be kept away while picture tubes are handled.
2. When replacing a chassis in the monitor, all the protective devices must be put back in place, such as, barriers, non-metallic knobs, adjustment and compartment shields, and isolation resistor-capacitor, etc.
3. When service is required, observe the original lead dress. Extra precaution should be taken to assure correct lead dress in the high voltage circuitry area.
4. Always use the manufacturer's replacement components. Especially critical components as indicated on the circuit diagram should not be replaced by other manufacturer's. Furthermore where a short circuit has occurred, replace those components that indicate evidence of overheating.
5. Before returning a serviced monitor to the customer, the service personnel must thoroughly test unit to be certain that it is completely safe to operate without danger of electrical shock, and be sure that no protective device built into the monitor by the manufacturer has become defective, or inadvertently defeated during servicing. Therefore, the following checks should be performed for continued protection of the customer and service technician.
6. In the case of the micro processor unit, shop adjustment is necessary after exchange of the micro processor unit.

High Voltage

This monitor is provided with a high voltage hold down circuit for clearly indicating that voltage has increased in excess of a predetermined value.

Comply with notes described in this Service Manual regarding this hold down circuit when servicing, so that this hold down circuit may function correctly.

Service Warning

With minimum Brightness and Contrast the operating high voltage in this display is lower than 30 kV.

If any component having influence on the high voltage is replaced, confirm that the high voltage with minimum Brightness and Contrast is lower than 30 kV.

To measure high voltage use a high impedance high voltage meter. (SENSITIVE RESEARCH Model: ESH or Equivalent)

Connect (-) to chassis earth and (+) to the CDT anode button. (See the following connection diagram Fig. 1.)

NOTE: Turn power switch off without fail before making the connection to the Anode button

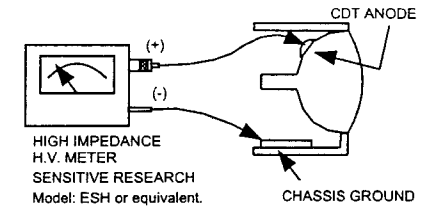


Fig. 1

X-radiation

TUBE: The source of X-radiation in this monitor is the picture tube. The tube utilized in this chassis is specially constructed to limit X-radiation emissions.

For continued X-radiation protection, the replacement tube must be the same type as the original, manufacturer approved type.

When troubleshooting and making test measurements in a monitor with a problem of excessive high voltage, avoid being unnecessarily close to the picture tube and the high voltage components.

Do not operate the chassis longer than is necessary to locate the cause of excessive voltage.

CHECK OF HIGH VOLTAGE HOLD DOWN CIRCUIT

Checking of the high Voltage hold down circuit operation.

1. Turn the switch of the unit ON, and set the Brightness and Contrast controls to max.
2. Turn the switch of the unit OFF.
3. Connect a DC Voltmeter and an adjustment jig as shown in Fig. 2.
4. Set the adjustment VR to fully counterclockwise.
5. Turn the switch of the unit ON and gradually rotate the adjustment VR clockwise.
6. Check that a reading of DC voltage-meter is less than 0.6 ± 0.1 V when picture disappears.
7. Turn the switch of the unit OFF immediately after checking that the picture disappears.
8. Remove the adjusting jig and the DC voltmeter.

NOTE: Reading of 0.6 V is approximately equivalent to 30 kV of CDT Anode High Voltage.

PRODUCT SAFETY NOTICE

Many electrical mechanical parts in the color monitor units have special safety related characteristics. These are often not evident from visual inspection nor can the protection afforded by them necessarily be obtained by using replacement components rated for higher voltage, wattage, etc. Replacement parts which have these special safety characteristics are identified in this Service Manual. Electrical components having such features are identified by marking with Δ on the schematics and on the parts list in this Service Manual. The use of a substitute replacement component which does not have the same safety characteristics as the manufacturer recommended replacement one, shown in the parts list in this Service Manual, may create shock, fire, X-radiation, or other hazards. Productions are issued from time to time. For the latest information, always consult this Service Manual.

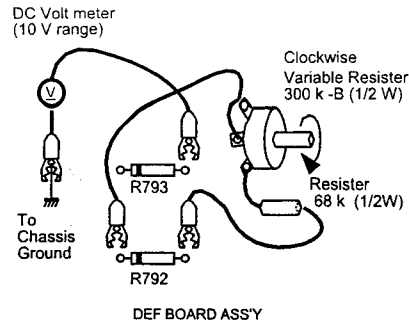
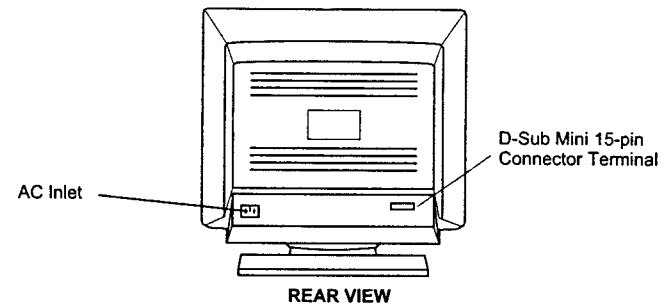
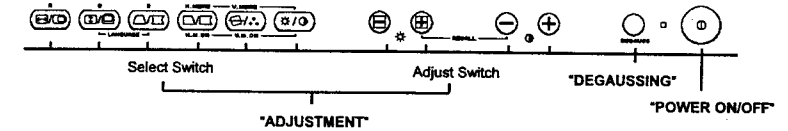
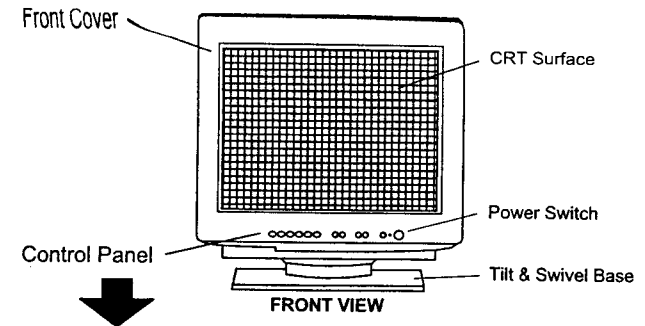


Fig. 2 Checking Circuit using jig

SPECIFICATIONS

Model Name		CM811*	CM812*		
Destination		North America (*="U") Europe (*="ET")	North America (*="U") Europe (*="ET")		
Rated Voltage		AC 100-120 / 200-240 V, Automatically select. Provided with Power Circuit.			
Power Consumption		125 W nominal			
Color Display Tube (CDT)		21inch inches diagonal, 0.22 mm horizontal dot pitch Invar shadow mask, Black matrix, Anti-Reflection coat, Short persistence phosphors.			
Rated Frequency	Horizontal	31 - 96 kHz	31 - 107 kHz		
	Vertical	50 - 160 Hz			
Resolution	Horizontal	Up to 1600			
	Vertical	Up to 1280			
Signal Inputs		Red, Green and Blue analog video H/V separate, H/V composite or Sync on Green sync.			
User Controls		Power Switch Degauss Language select Contrast Brightness Horizontal Position, Size Vertical Position, Size Right Side Pincushion Right Trapezoid	Side Pincushion Trapezoid Red, Green, Blue intensity Color Select Rotation H Moire Reduction V Moire Reduction		
Environmental Condition		Temperature : Humidity :	Operation 5 °C to 40 °C 10% to 80%	Storage -20 to 60 °C 10% to 90 %	
Dimensions		488 (W) × 482 (H) × 470 (D) mm including Tilt & Swivel base.			
Weight		27.5 kg			

CONTROLS



SIGNAL TIMING CHART

Signal		VGA 640x400	VESA 800x600 (85Hz)	VESA 1024x768 (85Hz)	VGSA 1280x1024 (85Hz)			
1	Video	Type	R/G/B Analog	R/G/B Analog	R/G/B Analog			
		Voltage	0.7 Vp-p	0.7 Vp-p	0.7 Vp-p			
		Set Up	None	None	None			
2	Sync	Type	H/V Separate	H/V Separate	H/V Separate			
		Amp.	TTL Level (Nega./Posi.)	TTL Level (Posi./Posi.)	TTL Level (Posi./Posi.)			
3	Video frequency	25.175 MHz	56.250 MHz	94.500 MHz	157.500 MHz			
4	Character (Letter)	640dotsx400lines	800dotsx600lines	1024dotsx768lines	1280dotsx1024lines			
5	Horizontal	Frequency	31.469 kHz	53.674 kHz	68.677 kHz	91.146 kHz		
		Front porch	0.636us (16cl)	0.569us (32cl)	0.508us (48cl)	0.406us (64cl)		
		Sync. width	3.813us (96cl)	1.138us (64cl)	1.016us (96cl)	1.016us (160cl)		
		Back porch	1.907us (48cl)	2.702us (152cl)	2.201us (208cl)	1.422us (224cl)		
		Blanking width	6.356us (160cl)	4.409us (248cl)	3.725us (352cl)	2.844us (448cl)		
		Display time	25.422us (640cl)	14.222us (800cl)	10.836us (1024cl)	8.127us (280cl)		
		H.period (1H)	31.778us (800cl)	18.631us (1048cl)	14.561us (1376cl)	10.971us (1728cl)		
		6	Vertical	Frequency	70.090 Hz	85.062 Hz	85.000Hz	85.024 Hz
				Front porch	0.381 ms (12H)	0.019 ms (1H)	0.015 ms (1H)	0.011ms (1H)
Sync. width	0.064 ms (2H)			0.056 ms (3H)	0.044 ms (3H)	0.033 ms (3H)		
Back porch	1.112 ms (35H)			0.503 ms (27H)	0.524 ms (36H)	0.483 ms (44H)		
Blanking width	1.557 ms (49H)			0.578 ms (31H)	0.582 ms (40H)	0.527 ms (48H)		
Display time	12.711 ms (400H)			11.179 ms (600H)	11.183 ms (768H)	11.235 ms (1024H)		
H.period (1H)	14.268 ms (449H)			11.756 ms (631H)	11.765 ms (808H)	11.761 ms (1072H)		
7	Scan System			(Non-interlaced)	(Non-interlaced)	(Non-interlaced)	(Non-interlaced)	
8	Remark							
9	Signal name	30B	54A	68A	91A			

- * VGA is a registered trademark of International Business Machined Corporation.
- * VESA is a trademark of a nonprofit organization, Video Electronics Standard Association.

Signal		VESA 1600x1200 (75Hz)	VESA 1600x1200 (65Hz)	Macintosh II 1152x870 (75Hz)	fHLL Adjustment signal			
1	Video	Type	R/G/B Analog	R/G/B Analog	R/G/B Analog			
		Voltage	0.7 Vp-p	0.7 Vp-p	0.7 Vp-p			
		Set Up	None	None	None			
2		Type	H/V Separate	H/V Separate	H/V Separate			
		Amp.	TTL Level (Posi./Posi.)	TTL Level (Posi./Posi.)	TTL Level (Nega./Nega.)			
3	Video frequency	202.500 MHz	229.500 MHz	100.000 MHz	24.000 MHz			
4	Character (Letter)	1600dotsx1200lines	1600dotsx1200lines	1152dotsx870lines	640dotsx410lines			
5	Horizontal	Frequency	93.750 kHz	106.250 kHz	68.681 kHz	30.000 kHz		
		Front porch	0.316us (64cl)	0.279us (64cl)	0.320us (32cl)	0.417us (10cl)		
		Sync. width	0.948us (192cl)	0.837us (192cl)	1.280us (128cl)	3.917us (94cl)		
		Back porch	1.501us (304cl)	1.325us (304cl)	1.440us (144cl)	2.333us (56cl)		
		Blanking width	2.765us (560cl)	2.440us (560cl)	3.040us (304cl)	6.667us (160cl)		
		Display time	7.901us (1600cl)	6.972us (1600cl)	11.520us (1152cl)	26.667us (640cl)		
		H.period (1H)	10.667us (2160cl)	9.412us (2160cl)	14.560us (1456cl)	33.333us (800cl)		
		6	Vertical	Frequency	75.000 Hz	85.000 Hz	75.060 Hz	50.000 Hz
				Front porch	0.011 ms (1H)	0.009 ms (1H)	0.044 ms (3H)	2.967 ms (89H)
Sync. width	0.032ms (3H)			0.028ms (3H)	0.044ms (3H)	0.133ms (4H)		
Back porch	0.491 ms (46H)			0.433 ms (46H)	0.568 ms (39H)	3.233 ms (97H)		
Blanking width	0.533 ms (50H)			0.471 ms (50H)	0.655 ms (45H)	6.333 ms (190H)		
Display time	12.800 ms (1200H)			11.294 ms (1200H)	12.667 ms (870H)	13.667 ms (410H)		
H.period (1H)	13.333 ms (1250H)			11.765 ms (1250H)	13.322 ms (915H)	20.000 ms (600H)		
7	Scan System			(Non-interlaced)	(Non-interlaced)	(Non-interlaced)	(Non-interlaced)	
8	Remark			only CM811*	only CM812*	only CM811ET		
9	Signal name	94A	106B	70A	30W			

* Macintosh II is a trademark of Apple Computer, Inc

DISCRIPTION OF CIRCUIT

1. Power Supply Circuit

This model incorporates a wide range universal power supply utilizing a switching regulator (see block diagram in Figure 1).

1.1 AC input

AC input consists of AC inlet, EMI filter (C901~C903, C906~C909) and rectifier D901. Rectifier circuits adapt to full-wave method. Inrush current limiting circuit (R901) protects from excessive inrush current at initial stage of power on.

1.2 Circuit #1 :

Circuit 1 consists of chopper inductor (L910), chopper component (Q910), rectifier component (D910, C911) and control IC (I911). R911, R912 and R913 detect input voltage and provide signal to I911 pin 3 which adjusts the pulse width based on the pin 3 voltage level to provide constant voltage output. Switching operation is performed by frequency synchronization with circuit #2, to control I911 pin 14 from circuit #2.

1.3 Switching Regulator circuit

Switching Regulator circuit is designed to handle variations of two conditions to ensure constant +B voltage to secondary circuit : (Circuit 2) varying load conditions of video, (Circuit 3) varying horizontal frequencies and varying load conditions.

1.3.1 Circuit #2 :

Circuit 2 consists of chopper transformer (T930), chopper component (Q930) and control IC (I931). T930 detects output voltage and provides signal to I931 pin 1 which adjusts the pulse width based on the pin 1 voltage level to provide constant voltage output. If the secondary circuit becomes overloaded, primary current through T930 is detected at R931, R932 and stops the switching operation. Once the circuit has overloaded, the power switch must be turned off for a short period and then turned on to re-establish power. Switching frequency is determined by time constant of C934.

1.3.2 Circuit #3 :

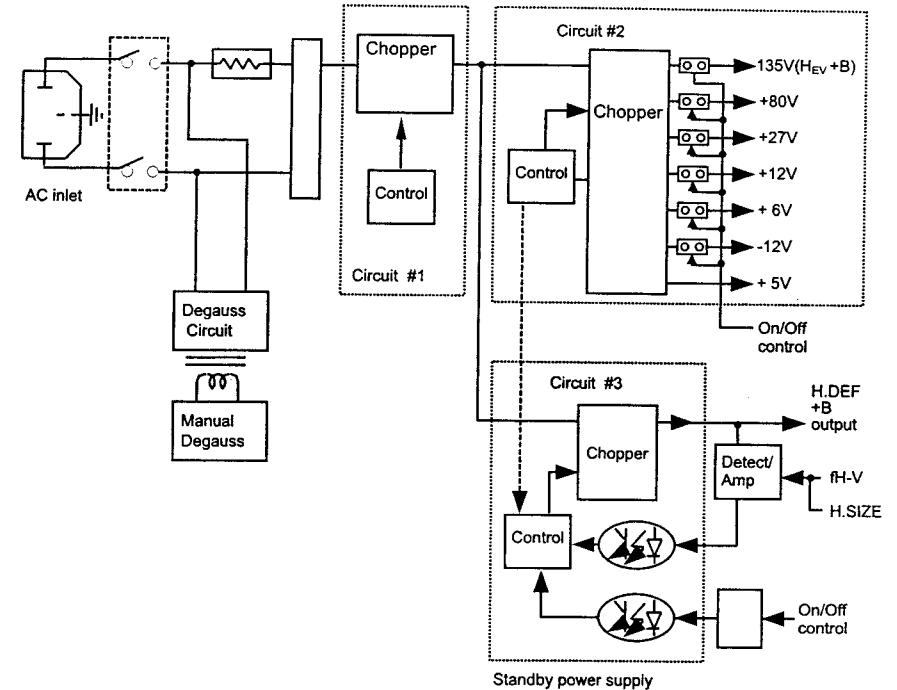
Circuit 3 consists of chopper transformer (T920) and chopper component (Q920) mainly providing +B voltage for horizontal deflection. Regulator method is to detect secondary voltage at I971 and feed through photocoupler I923, providing constant voltage by controlling I921 pin 2 at primary circuit. Switching operation is performed by frequency synchronization with circuit #2, to control I921 pin 7 from circuit #2. As mentioned above, while detecting secondary voltage at I971. I971 simultaneously receives voltage information from microprocessor which is proportional to the horizontal frequency. Therefore, output of circuit #3 is additionally regulated by the horizontal frequency. In this circuit, gate circuit (Q972, Q973) controls the switching operation at power control (I921) through photocoupler (I922). This circuit is designed to receive power off command from the microprocessor, resulting in stopping chopper operation at the power supply.

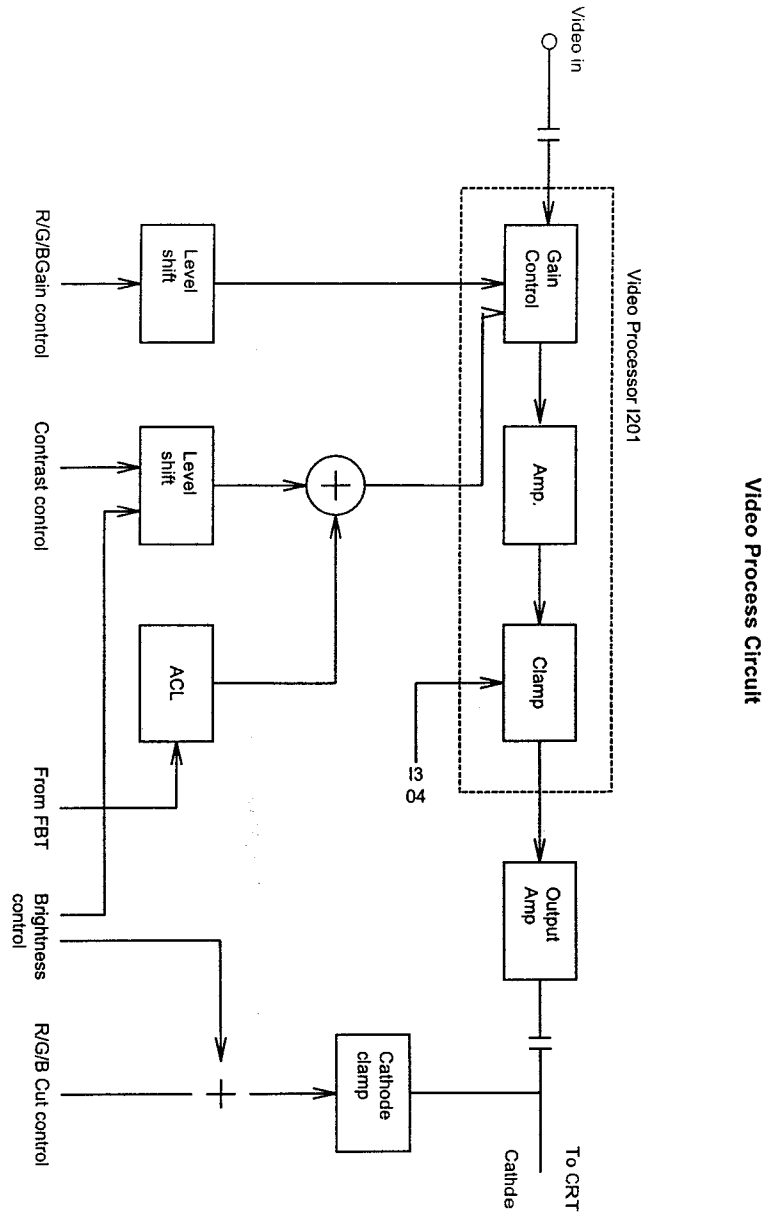
1.4 Degaussing circuit

When the power is switched on, the CRT is degaussed automatically by current flowing through the degauss circuit while the relay (S91R) is closed. Degaussing current flows for approximately 20 seconds and stops after secondary circuit operation is stabilized causing relay (S91R) to be opened.

The circuit also allows for manual degauss by user switch at front panel which closes S91R through Q999, to allow current to flow through the degauss coil.

Figure 1 : Block diagram for power supply circuit





Video Process Circuit

2. Sync Determination Circuit

Depending on the combination of Sync signal inputs and its polarity, Sync signal is fed to Sync Processing chip I304 which produces H/V sync. see at its output.

3. Video Processing Circuit

3.1 Video Processor

The video input signal of 0.7 Vp-p is amplified to approximately 50 Vp-p by the video processing circuit and is fed to the cathode to drive the beam current.

This chassis incorporates a single chip video processor, I201, with three channels, one for each of R/G/B, which functions as the pre-amp of the inputs, OSD mixer and also gain control. A control signal from the microprocessor changes the amplifier gain of the video channels (R/G/B) together with white balance control. Video Output circuit I202 amplifies R/G/B signals controlled by I201 to the enough level to drive Cathode of CRT. DC voltage of Cathode is determined by DC Cut off voltage from Cathode Clamp Circuit. DC Cut off voltage is generated at Level Shift Circuit which consists of I203, whose R/G/B channels are also controlled by microprocessor.

3.2 ACL Circuit

The current at the secondary winding of the flyback transformer is used to represent the CRT beam current. The current is measured and fed to the contrast control I204, D273 to limit the maximum beam current with negative feedback.

3.3 Blanking Circuit

Video blanking during the beam retrace period is achieved by applying both horizontal and vertical blanking pulses to I201.

3.4 Precedence of Clamp Pulse Circuit

Clamp signal in Video Processor I201 receives pulses from I306, Precedence of Clamp pulse circuit. When the monitor receives signals, the input of I306 is Sync pulse from Sync Processing Circuit, I304. Without signals, I306' input is the pulse from Deflection Circuit controlled by microprocessor.

3.5 OSD Circuit

I301, receives H/V pulses from Deflection Circuit and control signal from microprocessor, whose output feeds Clock signals (20MHz ~ 90MHz) synchronized with H pulse and control signals from microprocessor, whose output feeds OSD display signals in R/G/B and OSD blanking signal to OSD Mixer Circuit in I201.

4.3 Parabolic Waveform Generator Circuit

This circuit generates the parabolic waveform for the purpose of dynamic focus compensation.

4.4 Dynamic focus compensation waveform

Vertical saw tooth signal are input to I505 pin2. Output of pin 4 generates a parabolic waveform with an amplitude proportional to the vertical line frequency, after processing by I505. Vertical parabolic waveform output (I505 pin 4) pulse to feed to the dynamic focus drive circuit.

Horizontal trigger pulses are input to the PLL (I503, pin 14), the stabilized output of which is then fed to I505 pin 17, through Gate I504. The output of I505 (pin 7) feeds the parabolic waveform, with an amplitude proportional to the horizontal line frequency (after processing by I505), to I501. I501 is a processor which combines horizontal parabolic output pulse to feed to the dynamic focus drive circuit.

4.5 Dynamic focus drive circuit

This monitor's CRT includes a dynamic focusing electron gun to achieve sharp and uniform focus throughout the display area. The CRT's Focus anode receives a DC component of approximately 27% of the CRT anode voltage, combined with the AC voltage parabolic waveform of magnitude of 550Vp-p horizontal, and 200Vp-p vertical. DC focus voltage is obtained from a tap of the flyback transformer's bleeder resistor, and fed to G3 focus electrode. Horizontal and vertical parabolic output pulses are amplified at Q560-Q564, T560 and fed to the flyback transformer where they are combined with the DC component (27% of anode voltage). The potentiometers (focus 1, focus 2) at the flyback adjust the DC focus voltage. The focus 1 potentiometer mainly adjusts horizontal beam shape (vertical line width), and the focus 2 potentiometer mainly adjusts the vertical beam shape (horizontal line width) by optimizing the DC component of the parabolic waveform.

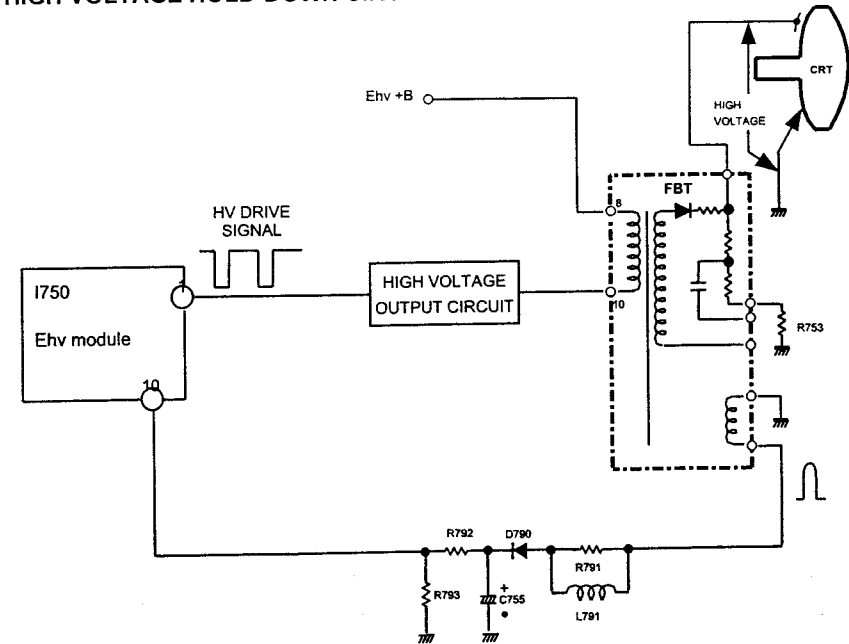
Left and right horizontal focus adjustment is achieved by changing the amplitude of the horizontal parabolic waveform at I505 via horizontal gain at R544. Top and bottom vertical focus adjustment is achieved by changing the amplitude of the vertical parabolic waveform via vertical gain at R543.

4.6 High Voltage Hold-Down Circuit

DJ81- Chassis uses a system that to stop HV DRIVE SIGNAL output when abnormal high voltage is detected. So that the high voltage output will be declined to zero. The circuit operation in detail is as follows.

When an input voltage to I750 (pin10), it is determined by R792 and R793 exceeds the specified level HV DRIVE SIGNAL is not output in order to prevent over drive. This cause the high voltage to decline to zero.

HIGH VOLTAGE HOLD-DOWN CIRCUIT DIAGRAM



5. Vertical Deflection Circuit

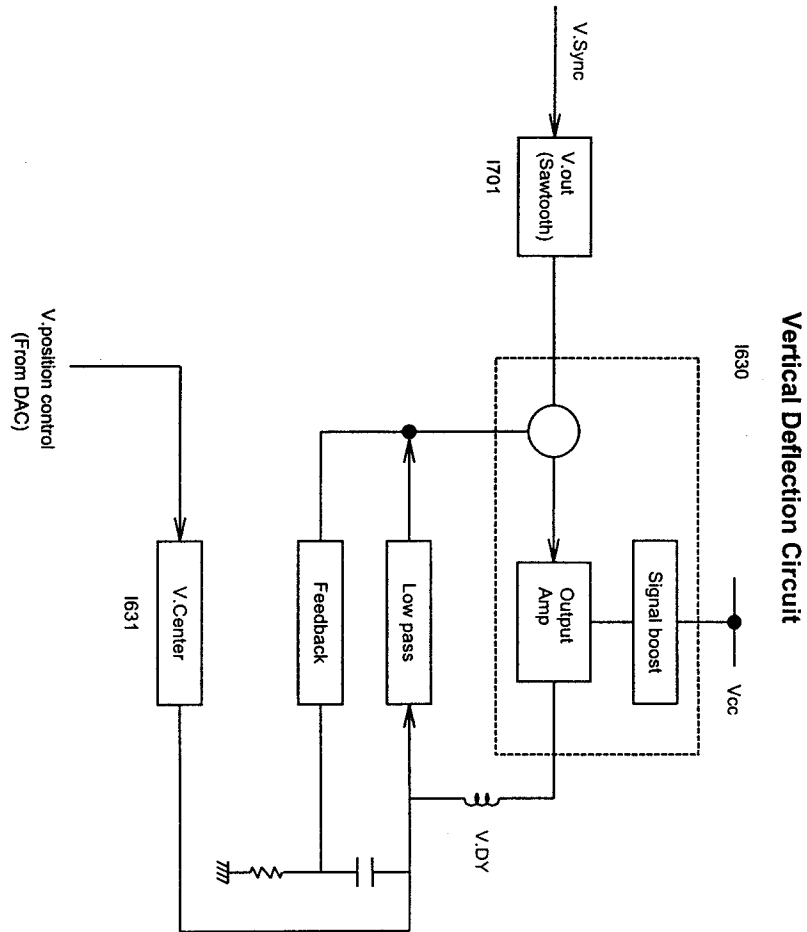
The purpose of the vertical deflection circuit is to cause the CRT electron beam to be scanned vertically by driving a current through the deflection yoke, synchronized by the V sync pulse. V sync is input to the V oscillator circuit, I701, generating the vertical sawtooth wave. The vertical sawtooth wave is fed to I630 to be amplified.

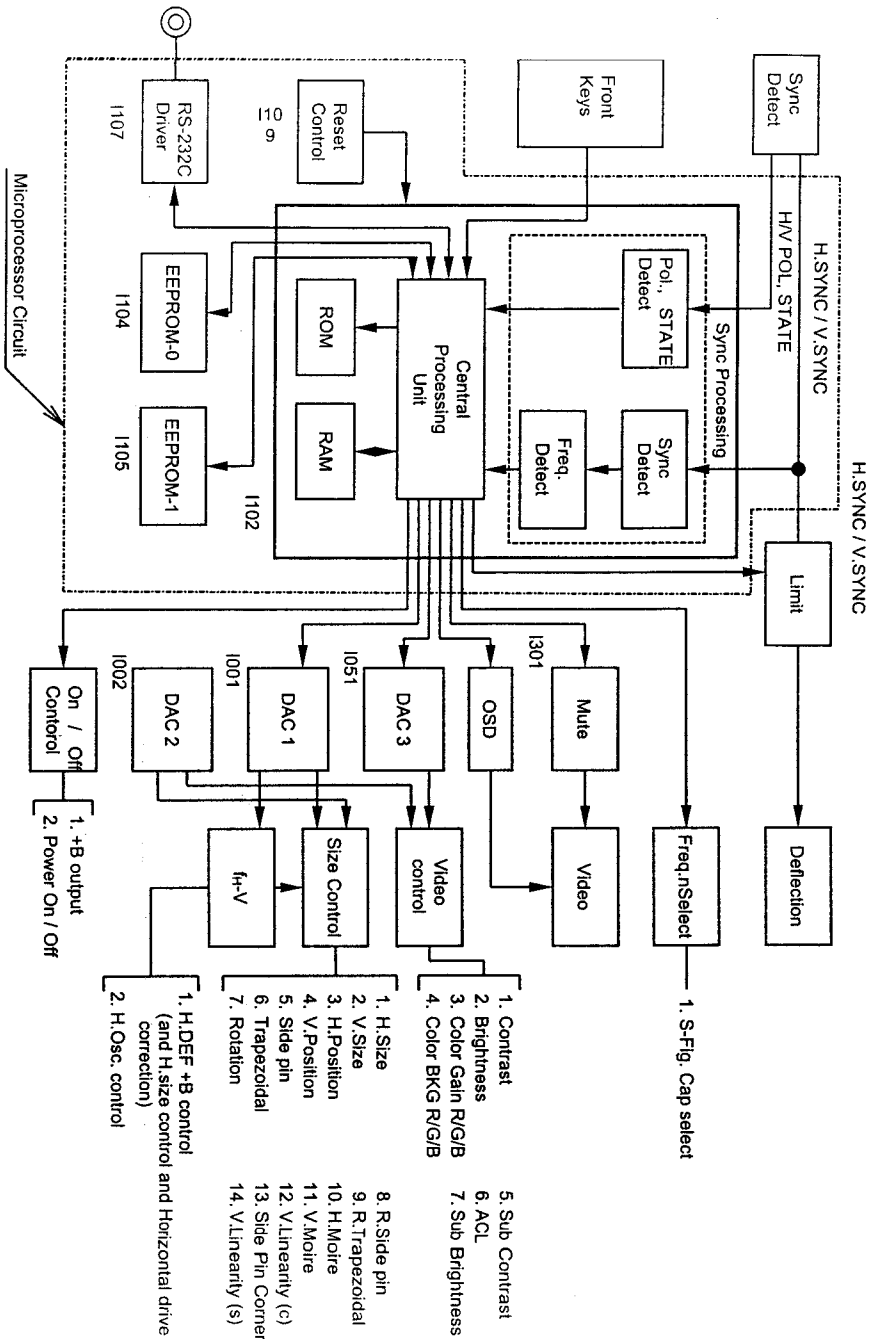
The vertical output stage consists of a DC feedback loop, with feedback of the DC component via the low pass filter, and an AC feedback loop with feedback of the AC component. The AC feedback current goes through feedback circuit where it is used to adjust the time constant.

The vertical linearity after signal timing change is constant by fv-v voltage which is from microprocessor circuit. The vertical size control signal from the microprocessor controls the voltage of I701 8pin through a level shifter R618, R619 and R606.

The output stage of I630 includes a ramp-up circuit with D630 and C635 achieving near doubling of the retrace pulse to minimize retrace time.

The vertical position control signal from the microprocessor is fed to the vertical deflection yoke through a vertical centering circuit of I631 to center the raster.





6. Microprocessor Circuit

The microprocessor circuit consists of the following four detailed circuits as shown in Figure.

1. Sync detect circuit
2. Front panel key data Input / Output (I/O)
3. Processing and memory
4. Control output

6.1 Sync detect circuit

The sync detect outside the microprocessor determines sync polarity, and feeds the polarity signal, STATE signal and H/V sync to the sync processing circuit within the microprocessor. The sync processing circuit detects these inputs, counts frequency, and feeds the polarity signal and frequency count to the Central Processing Unit (CPU).

6.2 Front panel key data Input / Output (I/O)

User input is received by the front panel keys which consists of : six select keys, four data keys (two pairs of +/- key), one Store key.

- Select keys:
- | | |
|--------------------------|---------------------------------------|
| 1) H. Position / H. Size | 4) Right Side Pin / Right Trapezoidal |
| 2) V. Position / V. Size | 5) Color Select / Rotation |
| 3) Side Pin / Trapezoid | 6) Contrast / Brightness |

The H.moire control feature requires the user to press Right Side Pin / Right Trapezoid and Contrast / Brightness front panel keys simultaneously to enter the control mode. Adjustment is then made with +/- keys. The V.moire control feature requires the user to press Color Select / Rotation and Contrast / Brightness front panel keys simultaneously to enter the control mode. Adjustment is then made with +/- keys.

Red, Green, and Blue color gain control feature requires that the user press the contrast / Brightness button and one of H. Position / H. Size (Red adjust), V. Position / V. Size (Green adjust), or side Pin / Trapezoid (Blue adjust) keys simultaneously to enter the control mode. Adjustment for the selected color is then made with +/- keys.

The language select feature requires the user to press V.Position / V.Size and Side Pin / Trapezoid front panel keys simultaneously to enter the control mode. Adjustment is then made with +/- keys.

When OSD display is disappeared, current settings (including picture size, geometry, and color setting) were stored to non-volatile memory. The maximum memory capacity is for 26 presets including factory standard settings.

6.3 Processing and memory

I102 is an 8 bit microprocessor which equips with ROM and RAM for system program, and sync processing circuit. Data memory consists of 2 EEPROM chips, I104, I105 for preset data.

6.4 Control output

The microprocessor output controls the DAC, the OSD On/Off controls, mute circuit, and limit circuit. The input control signal to the DAC, I001, I002, I051, is fed to video control (Contrast, Brightness, R/G/B color gain, R/G/B color BKG, sub Contrast, Sub Brightness and ACL), Size control (H/V size, H/V position, side pin correction, trapezoidal correction, rotation, right sidepin correction, right trapezoidal correction, H/V moire control, V.Linearity(S), V.Linearity(C) and Side pin Corner correction), and fH-V selection (+B control and H size control and horizontal drive correction, H. Osc. control with VCO control). The input control signal to the OSD, I301, provides the function that the monitor shows guidance for adjustment on the screen by generating video signal as character pattern and feeding it to the video amplifier. On/Off control provides 2 power saving modes by stopping +B output if one of H sync and V sync is not supplied (Standby mode) and by stopping main power supply if both H and V sync are not supplied. The mute circuit brings video output to black level when timing signal changes or the monitor goes into the power saving mode. The limit circuit consists of a gate, I704 and I706. In case that the frequency is normal, CPU opens the gate and H/V sync is fed to the deflection circuit via the gate. If not, CPU closes the gate to prevent the deflection circuit oscillating at illegal frequency. This chassis is capable of communicating with a PC through an RS-232C serial communication port for factory adjustments, by making access to the microprocessor through the RS-232C I/O driver, I107.

7. Power Save Function

The C98 chassis is capable of power savings by sensing of the sync input conditions by the microprocessor. The microprocessor can identify two sync conditions, (1) No detection of H.sync, (2) No detection of V sync. The following table shows the details of the Power save mode.

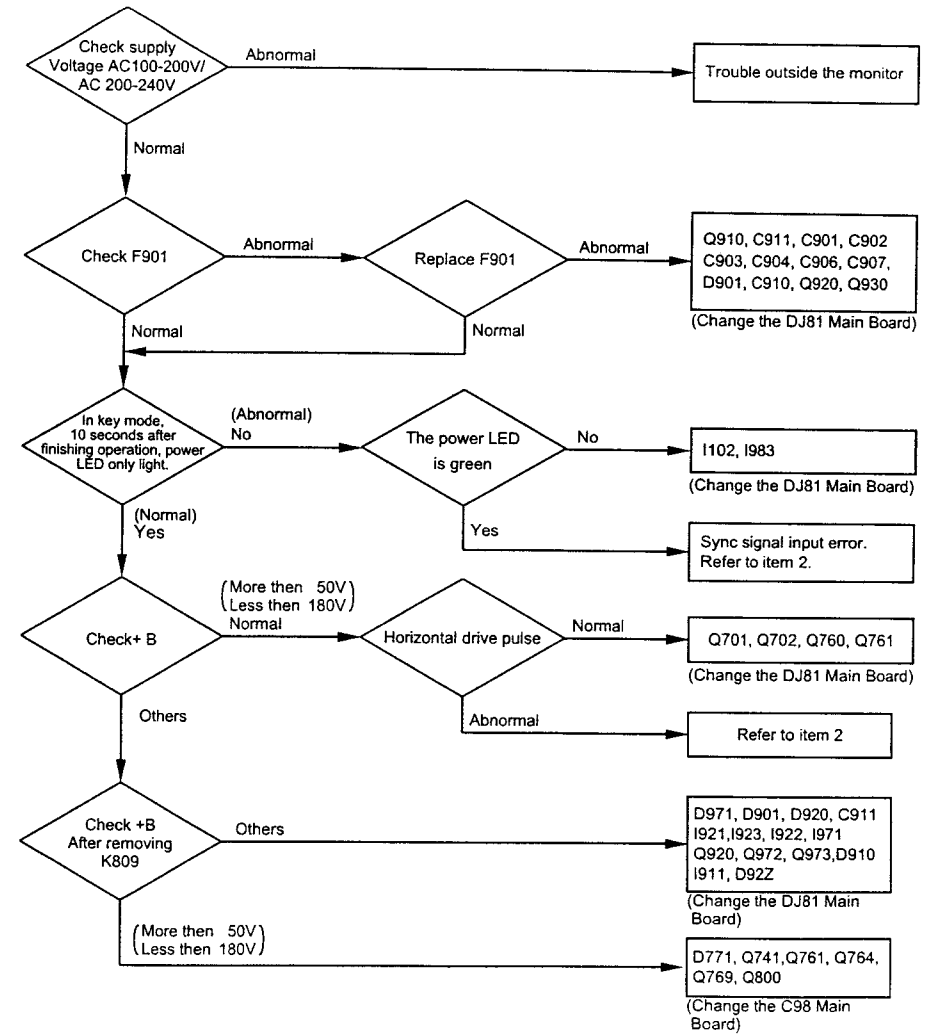
Table: Power Save Function

Sync	H Sync	Yes	No	Yes	No
	V Sync	Yes	Yes	No	No
VESA Standard	Name	Normal	Standby	Suspend	Off
	Recovery Time	N/A	Short	Short	System Dependent
	Recovery Time	None	Minimum	Minimum	Maximum
Circuit Operation	H. Deflection	Normal operation	Stop	Stop	Stop
	V. Deflection	Normal operation	Stop	Stop	Stop
	Video	Normal operation	Mute	Mute	Mute
Power LED		Lighting Green	Flashing quickly	Flashing quickly	Flashing slowly
Power consumption (Typical) : AC (120V)		All White : 125W All Black : 90W	less than 15W	less than 15W	less than 5W

TROUBLESHOOTING

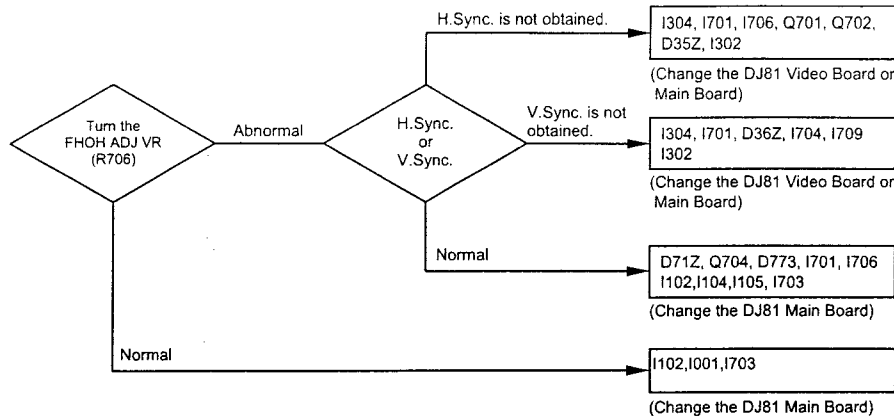
1. RASTER DOES NOT APPEAR

Relevant circuit : Power circuit, Horizontal deflection circuit,
High voltage limiter circuit



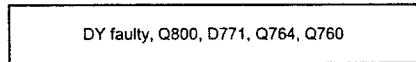
2. SYNCHRONIZATION IS NOT OBTAINED

Relevant circuit : Sync. input circuit, Deflection circuit



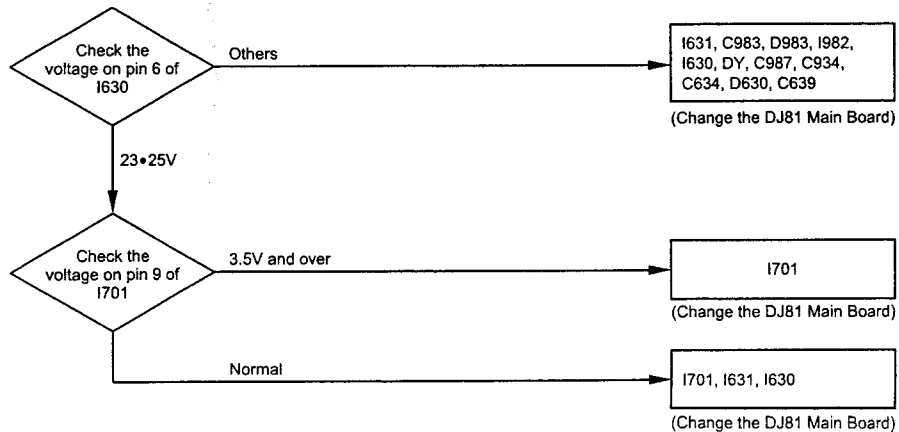
3. HORIZONTAL SINGLE LINE

Relevant circuit : Horizontal output circuit



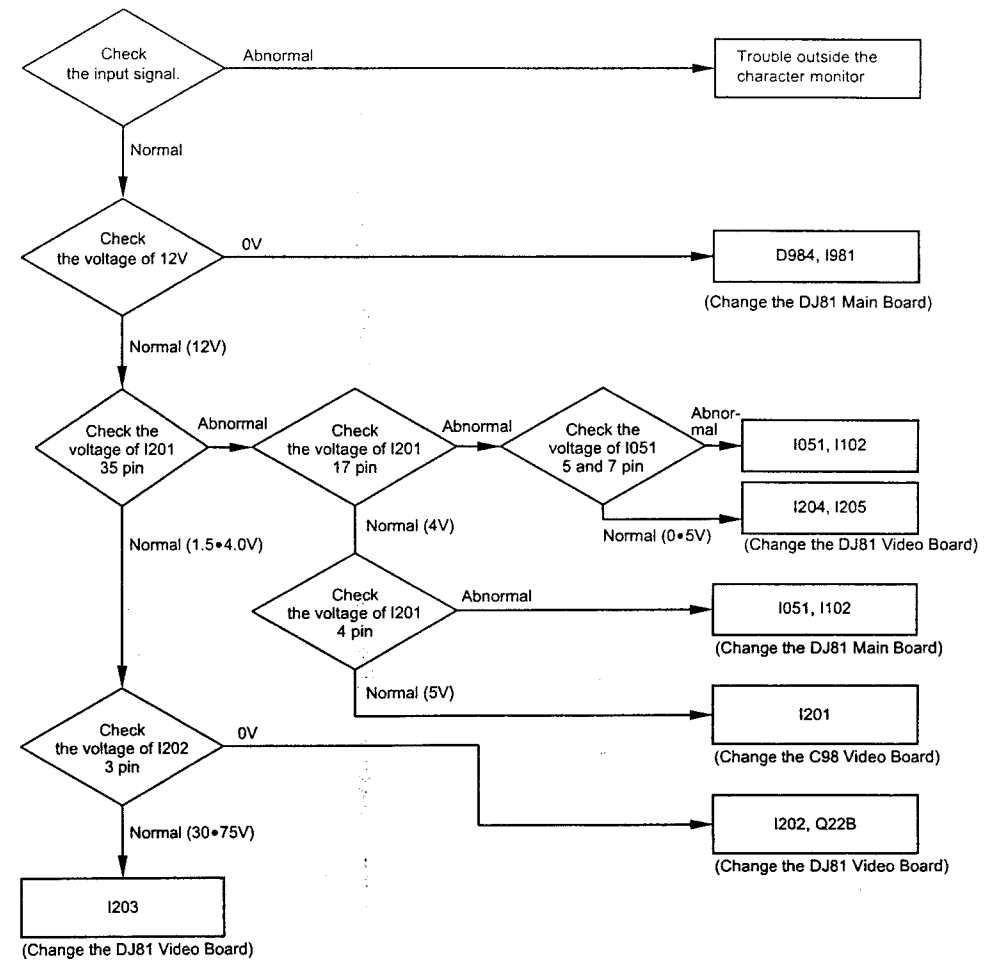
4. VERTICAL SINGLE LINE

Relevant circuit : Vertical deflection circuit



5. COLOR DOES NOT APPEAR

Relevant circuit : Video amplifier circuit



Note : Trouble in the blue circuit is shown in this diagram as representative color. Refer to : when green does not appear, and when red does not appear.

ADJUSTMENTS

1. Power supply

1.1 PFC output voltage adjustment.

- (1) Turn the switch of the unit off.
- (2) Place a jumper wire across C922 and R98P on main-p.w.b to disable +B output voltage.
- (3) Turn the switch of the unit on.
- (4) Receive normal cross hatch pattern of signal 94A.
- (5) Connect a Digital multimeter between + and - of C911.
- (6) Adjust R916 to $373 \pm 2V$.
- (7) Turn the switch of the unit off.
- (8) Remove the jumper wire from C922 and R98P.

1.2 Main power supply voltage adjustment for color display tube.

- (1) Turn the switch of the unit off.
- (2) Place a jumper wire across C922 and R98P on main-p.w.b to disable +B output voltage.
- (3) Turn the switch of the unit on.
- (4) Receive reverse cross hatch pattern of signal 94A.
- (5) Connect a Digital multimeter across C984.
- (6) Adjust Main power supply voltage to $13.0 \pm 0.3V$ using R942.
- (7) Turn the switch of the unit off.
- (8) Remove the jumper wire from C922 and R98P.

1.3 +B voltage adjustment

- (1) Turn the switch of the unit off.
- (2) Adjusting horizontal free running frequency must be finished before this adjustment.
- (3) Receive a normal cross hatch signal.(See table 1.for proper signal timing)
- (4) Connect a Digital volt meter across C971.
- (5) Turn the switch of the unit on.
- (6) Adjust H.Size to maximum.
- (7) Adjust R973 to the proper +B voltage value as outlined in table 1.
- (8) Receive reverse cross hatch pattern of signal 30C and check the +B voltage is at $50.0 \pm 2.0V$.

Table 1

Model	signal	+B voltage
CM81*	94A	$135 \pm 1.0V$

2. Deflection circuit adjustment

2.1 Horizontal free running frequency and Horizontal drive pluse duty adjustment

- (1) Turn the switch of the unit off.
- (2) Place a jumper wire across C922 and R98P on main-p.w.b to disable +B output voltage.
- (3) Connect a 1 Kohm resistor between R700 (Q701 side) and D71Z's cathode.
- (4) Place a jumpwer wire between I701 26pin and GND.
- (5) Connect frequency counter between R700 (Q701 side) and GND.
- (6) Turn the switch of the unit on.
- (7) Receive the signal, as indicate on table 2, for frequency Horizontal high(fHH), and adjust R706 to the value indicated on table 2.
- (8) Receive the signal 30W for fHLL and check the fHOL in table 2.
- (9) Connect a oscilloscope's probe (10:1) to Q760's drain.
- (10) Ajust tHD to table 2 using R725
- (11) Turn the switch of the unit off .
- (12) Remove the adjustment jig.

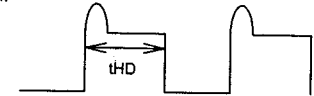


Table 2

			R725		R706	
	fHLL	fHOL	fHLL	tHD	fHH	fHOH
CM81*	30W	$30.0 \pm 0.7kHz$	30W	$16.6 \pm 0.2 \cdot s$	94A	$93.75 \pm 0.1kHz$

2.2 High voltage adjustment

- (1) Turn the switch of the unit off.
- (2) Connect a high voltage meter, which is capable to measure up to 40kV, between CDT anode and GND.
- (3) Receive normal cross hatch pattern of 94A signal.
- (4) Turn the switch of the unit on.
- (5) Adjust high voltage level to $27.5 \pm 0.3kV$ using R754.
- (6) Turn the switch of the unit off.
- (7) Remove the adjustment jig.

3. Video Circuit

Prior to the video circuit adjustment, all Sync And Deflection circuit adjustment must be completed. The monitor must have been warmed up for more than 60 minutes. Video signal must be terminated with 75ohm and should provide the correct voltage at the monitor end.

[Pre-setting before adjustment]

Function	Pin No.	Output Voltage
R Color	#9 pin (1051)	5V (FF)
G Color	#6 pin (1051)	5V (FF)
B.Color	#8 pin (1051)	5V (FF)
Contrast	#7 pin (1051)	5V (FF)
Brightness	#4 pin (1051)	0V (FF)
Sub Brightness	#8 pin (1002)	2.5V (7F)
Sub Contrast	#5 pin (1051)	2.5V (7F)
R.BKG	#15 pin (1051)	5V (00)
G.BKG	#14 pin (1051)	2.5V (7F)
B.BKG	#16 pin (1051)	5V (00)
ACL	#17 pin (1051)	2.5V (7F)

* Output voltages of DAC

Note: 1) Color Analyzer : Minolta CA 100 or equivalent.

3.1 Cut off adjustment

- (1) Receive a signal of 94A with a blank signal pattern.(Black video)
- (2) Connect a high impedance voltmeter (more than 1000MΩ) to the Screen terminal (G2) on the CRT neck board.
Adjust the Screen voltage pot on FBT to see $600 \pm 5V$.
- (3) Adjust R,G & B,BKG to show the CIE coordinate of:
 $X=0.313 \pm 0.03$, $Y=0.329 \pm 0.03$ at 1.5 cd/m^2 (0.44ft-L).
If it looks difficult to obtain X and Y readings mentioned above, do the followings to obtain these numbers.
 - 1) Reset Sub Brightness to 1.9V (9F) or 3.1V (60).
 - 2) Reset Sub Brightness to 0.93V (CF) or 4.1V (30).
 - 3) Reset G2 to 550V or 650V

3.2 White balance adjustment (Color 2)

- (1) Receive a signal of 94A with a $100 \times 100 \text{mm}$ window pattern.
- (2) Set Brightness Control to the center (2.5V : 7F).
- (3) Adjust the light output to 80 cd/m^2 (23ft-L) at the center of screen by adjusting Sub Contrast Control.
- (4) Adjust the white balance of high light output by Green and Blue color adjustments to read CIE coordinate of $X=0.313 \pm 0.008$, $Y=0.329 \pm 0.008$.
- (5) Adjust Contrast Control to read 3 cd/m^2 (1 ft-L).
- (6) Adjust Red and Blue BKG to read the same CIE coordinate shown in 3.2.(4)
- (7) Adjust Contrast Control to read 80 cd/m^2 (23ft-L) and then confirm CIE coordinate. If it shown out range, go back to 3.2(4)
- (8) Register the readings of R/G/B BKG and Color data (Color 2) to the microprocessor.

3.3 White balance adjustment (Color 1)

- (1) Receive a signal of 94A with a $100 \times 100 \text{mm}$ window pattern.
- (2) Set brightness Control to the center (2.5V : 7F).
- (3) Adjust the light output to 80 cd/m^2 (23ft-L) at the center of screen by adjusting Sub Contrast Control in Color 2 mode.
- (4) Select ``Color Select`` to Color 1.
- (5) Adjust the white balance of high light output by Green and Blue color adjustments to read CIE coordinate of $X=0.283 \pm 0.008$, $Y=0.298 \pm 0.008$
- (6) Register the readings of Color data (Color 1) to the microprocessor.

3.4 White balance adjustment (Color 3)

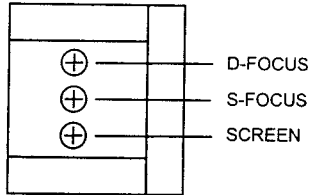
- (1) Receive a signal of 94A with a $100 \times 100 \text{mm}$ window pattern.
- (2) Set Brightness Control to the center (2.5V : 7F).
- (3) Adjust the light output to 80 cd/m^2 (23ft-L) at the center of screen by adjusting Sub Contrast Control in Color 2 mode.
- (4) Select ``Color Select`` to color 3.
- (5) Set Red color to the maximum (5V : FF).
- (6) Adjust the white balance of high light output by Green and Blue color adjustments to read CIE coordinate of $X=0.336 \pm 0.008$, $Y=0.352 \pm 0.008$.
- (7) Register the readings of Color data (Color 3) to the microprocessor.

3.5 Brightness adjustment

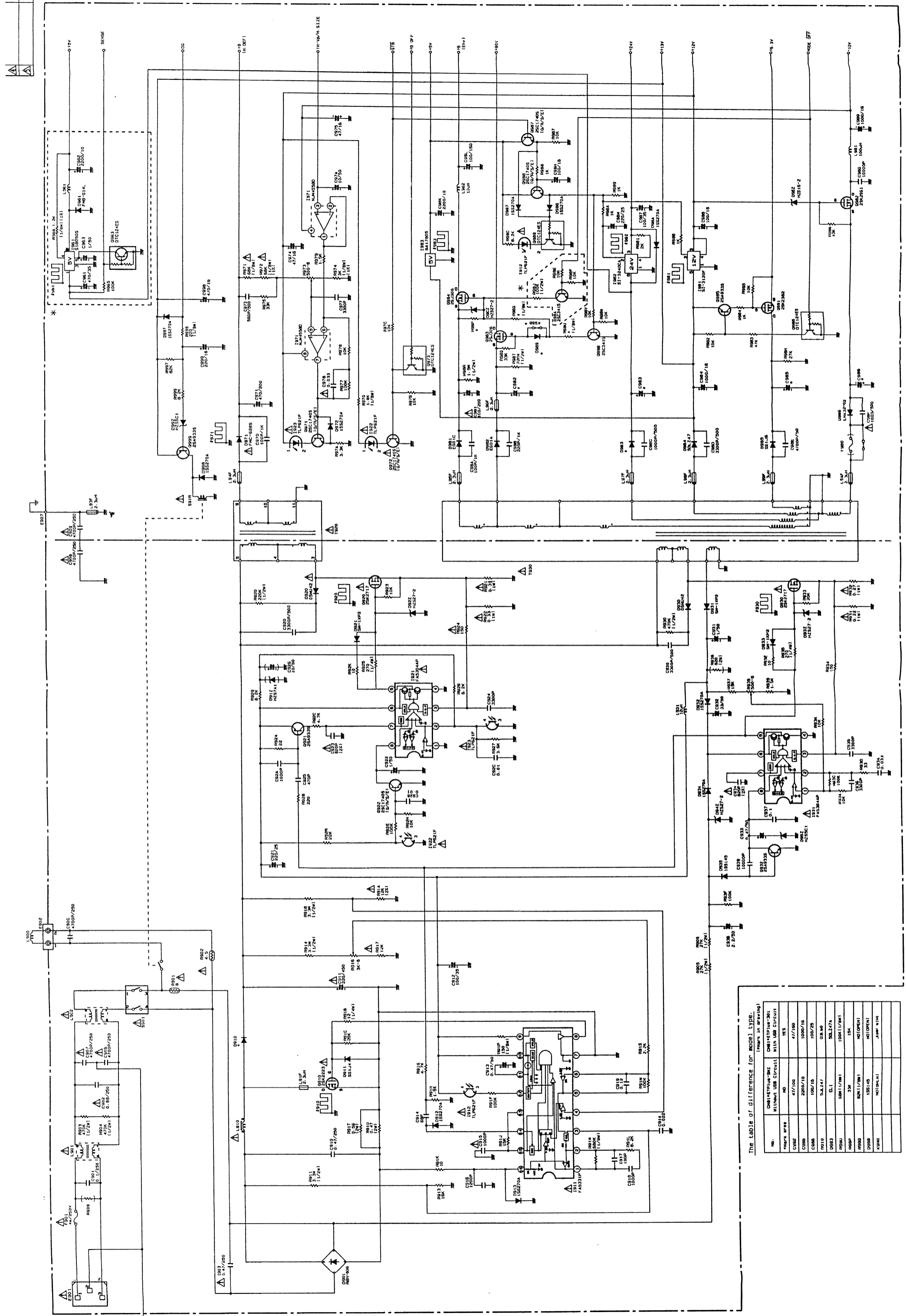
- (1) White balance adjustment must have been done before Brightness adjustment.
- (2) Receive signal of 94A with a blank signal pattern.(Black video)
- (3) Set Brightness and Contrast Control to their maximums.
- (4) Ambient light on the surface of the CRT should show lower than 50 lux.
- (5) Select ``Color Select`` to Color 1.
- (6) Adjust the light output to 1.5 cd/m^2 (0.44 ft-L) at the center of screen by adjusting Sub Brightness Control.
- (7) Receive a signal or 94A with a window pattern ($100 \times 100 \text{mm}$)
- (8) Adjust the light output to 125 cd/m^2 (36 ft-L) at the center of screen by adjusting Sub Contrast Control.
- (9) Receive a signal of or 94A with a full white pattern.
- (10) Set Video signal level to 0.75V
- (11) Adjust the light output to 120 cd/m^2 (35ft-L) at the center of screen by adjusting ACL adjustment.
- (12) Register the readings of Sub Brightness, Sub Contrast and ACL to the microprocessor.

4.1 Focus adjustment

- (1) Receive signal 94A with a full screen 'E' characters.
- (2) Set user Contrast control to its maximum.
- (3) *Set user Brightness control so that the back ground raster is just diminished.*
- (4) Adjust S-Focus control on the FBT so that focus at the middle points between the center of the screen to its best.
- (5) Adjust D-Focus control on the FBT so that focus at four corners of the screen to its best.

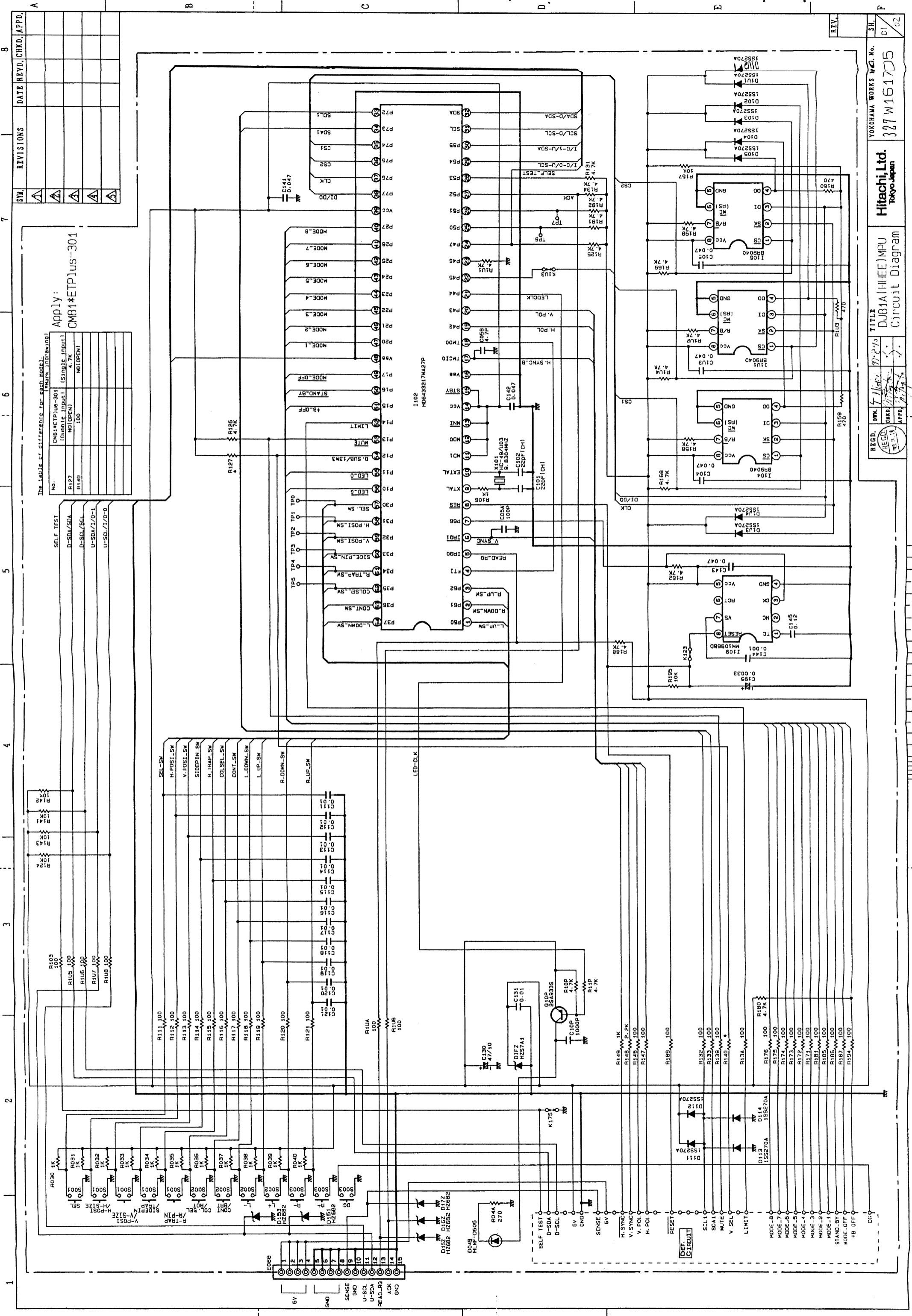


Position of FBT Controls



The table of difference for MODE1 type.

No.	MODE1 type	MODE2 type	MODE3 type
U101	74VHC125	74VHC125	74VHC125
U102	MAX3221E	MAX3221E	MAX3221E
U103	MAX3221E	MAX3221E	MAX3221E
U104	7824V	7824V	7824V
U105	LM2575	LM2575	LM2575
U106	78L05	78L05	78L05
U107	78L05	78L05	78L05
U108	78L05	78L05	78L05
U109	78L05	78L05	78L05
U110	78L05	78L05	78L05
U111	78L05	78L05	78L05
U112	78L05	78L05	78L05
U113	78L05	78L05	78L05
U114	78L05	78L05	78L05
U115	78L05	78L05	78L05
U116	78L05	78L05	78L05
U117	78L05	78L05	78L05
U118	78L05	78L05	78L05
U119	78L05	78L05	78L05
U120	78L05	78L05	78L05
U121	78L05	78L05	78L05
U122	78L05	78L05	78L05
U123	78L05	78L05	78L05
U124	78L05	78L05	78L05
U125	78L05	78L05	78L05
U126	78L05	78L05	78L05
U127	78L05	78L05	78L05
U128	78L05	78L05	78L05
U129	78L05	78L05	78L05
U130	78L05	78L05	78L05
U131	78L05	78L05	78L05
U132	78L05	78L05	78L05
U133	78L05	78L05	78L05
U134	78L05	78L05	78L05
U135	78L05	78L05	78L05
U136	78L05	78L05	78L05
U137	78L05	78L05	78L05
U138	78L05	78L05	78L05
U139	78L05	78L05	78L05
U140	78L05	78L05	78L05
U141	78L05	78L05	78L05
U142	78L05	78L05	78L05
U143	78L05	78L05	78L05
U144	78L05	78L05	78L05
U145	78L05	78L05	78L05
U146	78L05	78L05	78L05
U147	78L05	78L05	78L05
U148	78L05	78L05	78L05
U149	78L05	78L05	78L05
U150	78L05	78L05	78L05
U151	78L05	78L05	78L05
U152	78L05	78L05	78L05
U153	78L05	78L05	78L05
U154	78L05	78L05	78L05
U155	78L05	78L05	78L05
U156	78L05	78L05	78L05
U157	78L05	78L05	78L05
U158	78L05	78L05	78L05
U159	78L05	78L05	78L05
U160	78L05	78L05	78L05
U161	78L05	78L05	78L05
U162	78L05	78L05	78L05
U163	78L05	78L05	78L05
U164	78L05	78L05	78L05
U165	78L05	78L05	78L05
U166	78L05	78L05	78L05
U167	78L05	78L05	78L05
U168	78L05	78L05	78L05
U169	78L05	78L05	78L05
U170	78L05	78L05	78L05
U171	78L05	78L05	78L05
U172	78L05	78L05	78L05
U173	78L05	78L05	78L05
U174	78L05	78L05	78L05
U175	78L05	78L05	78L05
U176	78L05	78L05	78L05
U177	78L05	78L05	78L05
U178	78L05	78L05	78L05
U179	78L05	78L05	78L05
U180	78L05	78L05	78L05
U181	78L05	78L05	78L05
U182	78L05	78L05	78L05
U183	78L05	78L05	78L05
U184	78L05	78L05	78L05
U185	78L05	78L05	78L05
U186	78L05	78L05	78L05
U187	78L05	78L05	78L05
U188	78L05	78L05	78L05
U189	78L05	78L05	78L05
U190	78L05	78L05	78L05
U191	78L05	78L05	78L05
U192	78L05	78L05	78L05
U193	78L05	78L05	78L05
U194	78L05	78L05	78L05
U195	78L05	78L05	78L05
U196	78L05	78L05	78L05
U197	78L05	78L05	78L05
U198	78L05	78L05	78L05
U199	78L05	78L05	78L05
U200	78L05	78L05	78L05

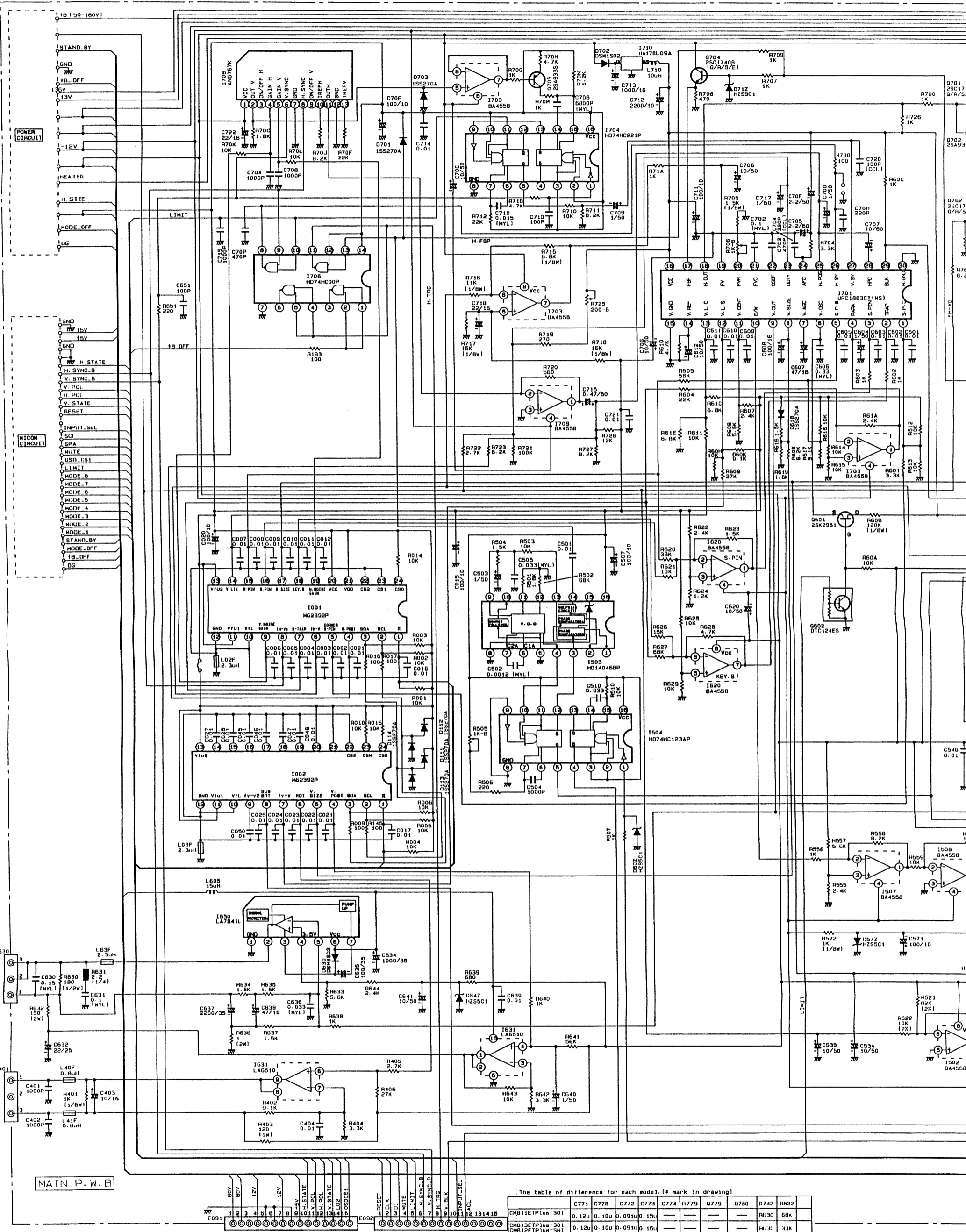


The table of differences for each model.

No.	CMB1*ETPlus-301 (Mark increment)	(Single input)	(Single input)
R127	NO(OPEN)	4.7K	
R140	100	NO(OPEN)	

Apply:
CMB1*ETPlus-301

REV.	SYM	REVISIONS	DATE	REV'D.	CHK'D.	APP'D.

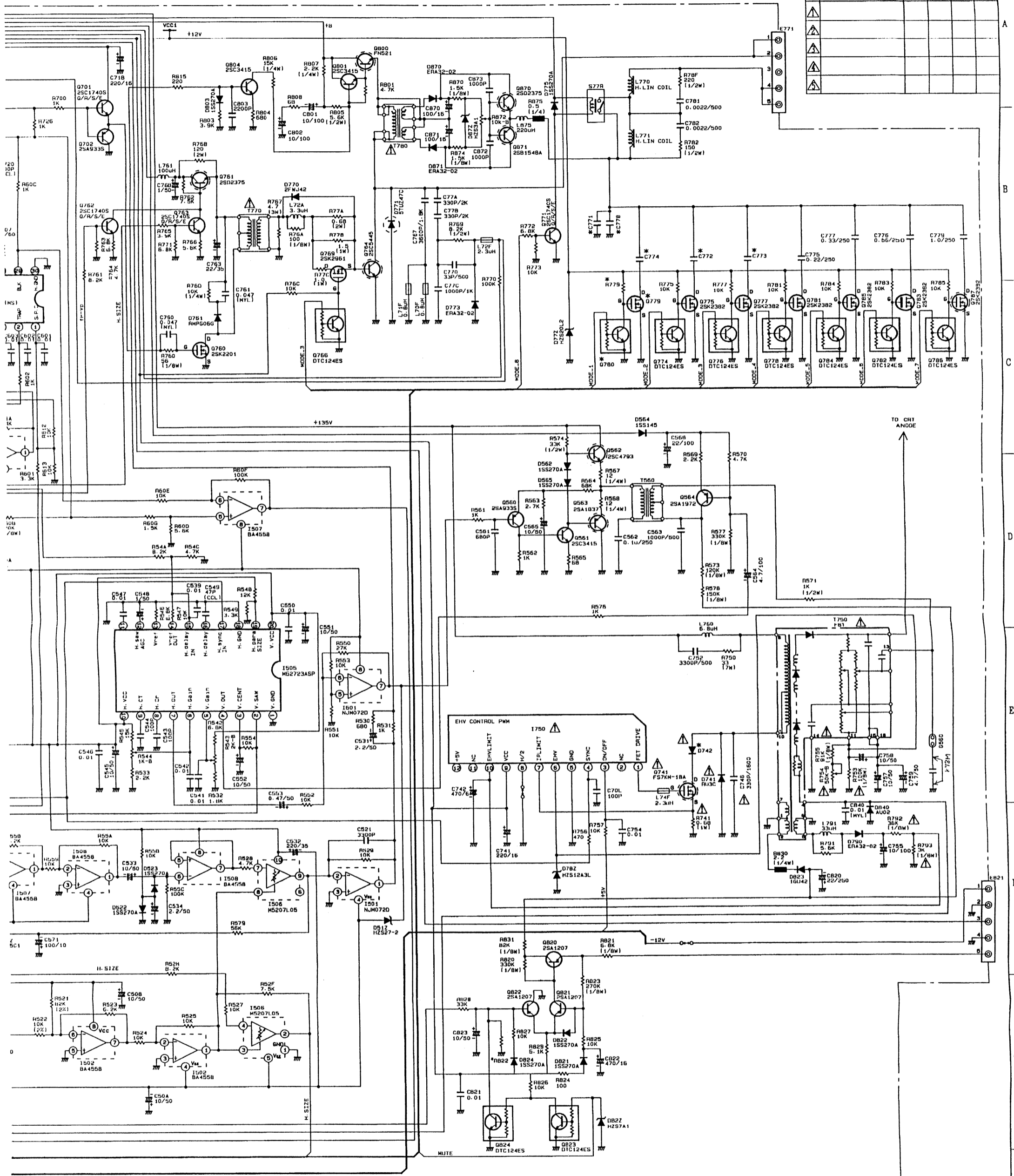


The table of difference for each model. (* mark in drawing)

	C771	C77B	C772	C773	C774	R779	Q799	Q730	D742	RH22
CM811ETPlus 301	0.12u	0.10u	0.091u	0.15u						RJ3C 68K
CM813ETPlus-301	0.12u	0.10u	0.091u	0.15u						HJ3C 33K
CM815ETPlus-301	0.082u	0.088u	0.13u	0.13u	0.068u	10K	25K2962	DTC124E4	HJ3B	33K
CM815ETPlus SN1	0.082u	0.10u	0.12u	0.13u	0.039u	10K	25K2302	DTC124E4	HJ3B	33K

ABCDEFGHIJKLMNOPQRSTUVWXYZ abcdefghijklmnpqrstuvwxy z

REV.	REVISIONS	DATE	REVD.	CHKD.	APPD.



Apply:
 CM81*ETPlus-301
 CM81*ETPlus-SNI

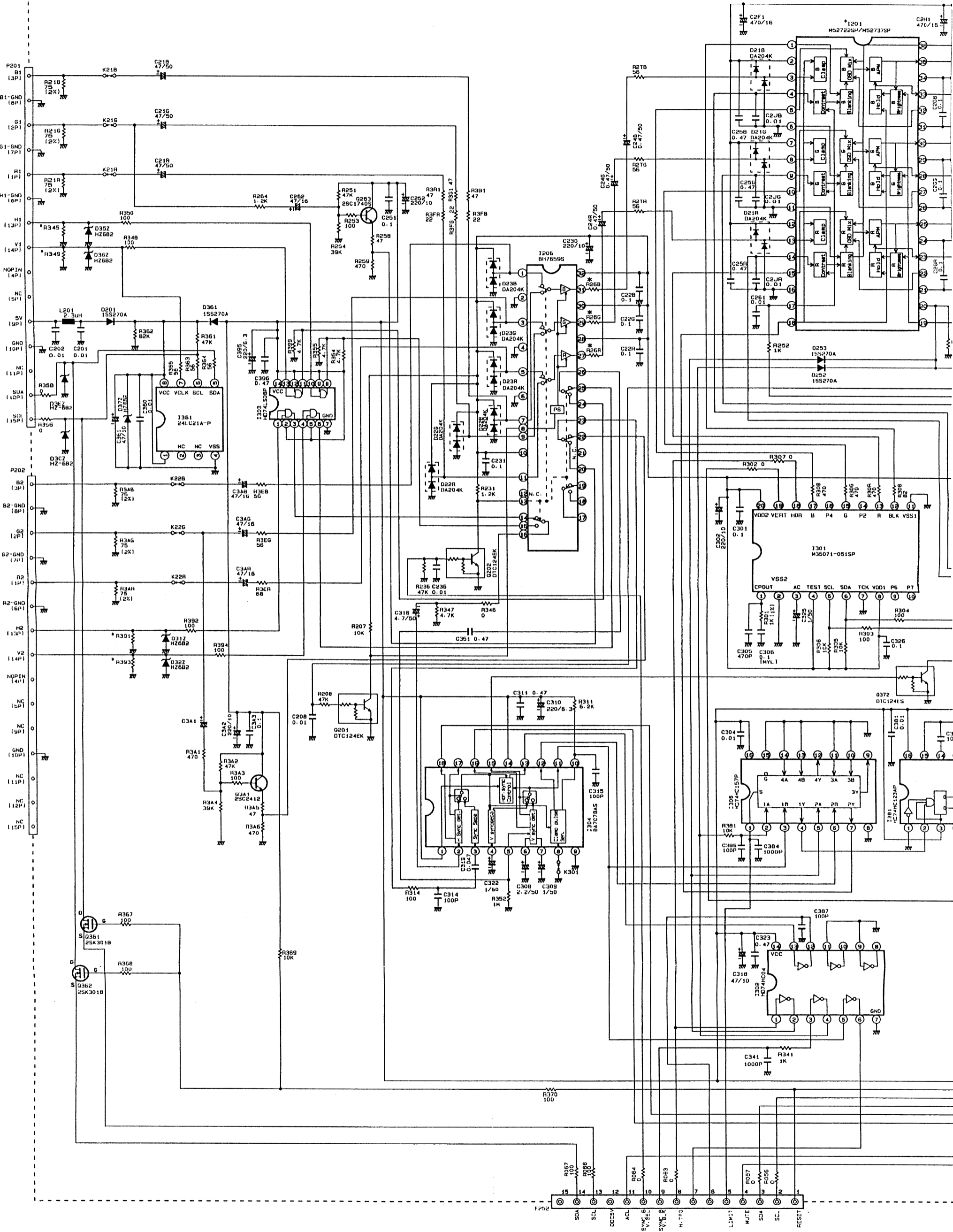
REQD.	DWN.	CHKD.	APPD.

TITLE
 DJ81A(HHEE)DEF
 CIRCUIT DIAGRAM

Hitachi, Ltd.
 Tokyo, Japan

YOKOHAMA WORKS DWG. No.
 327 W161703

REV.	SH.

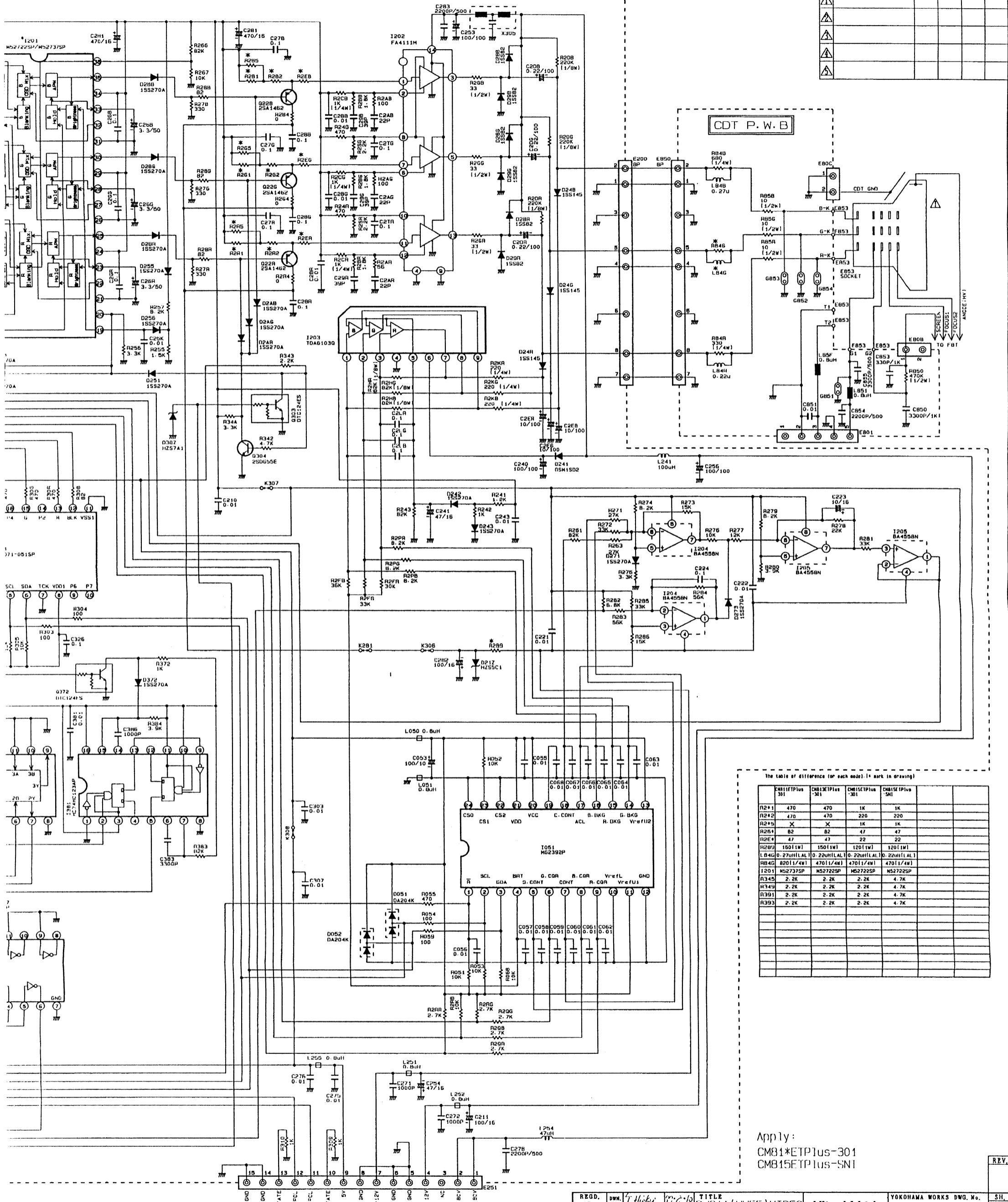


ABCDEFGHIJKLMNPQRSTUVWXYZ

abcdefghijklmnpqrstuvwxy

0

REV.	REVISIONS	DATE	REV.	CHKD.	APPD.
1					
2					
3					
4					



The table of difference for each model. (mark in drawing)

	CM81ETPlus-301	CM815ETPlus-301	CM815ETPlus-SN1	CM815ETPlus-SN1
R211	470	470	1K	1K
R212	470	470	220	220
R213	X	X	1K	1K
R214	B2	B2	47	47
R215	47	47	22	22
R216	1501 (1W)	1501 (1W)	1201 (1W)	1201 (1W)
R217	0.27uH (LAL)	0.22uH (LAL)	0.22uH (LAL)	0.22uH (LAL)
R218	8201 (1/4W)	4701 (1/4W)	4701 (1/4W)	4701 (1/4W)
I201	M52737SP	M52722SP	M52722SP	M52722SP
R345	2.2K	2.2K	2.2K	4.7K
R349	2.2K	2.2K	2.2K	4.7K
R391	2.2K	2.2K	2.2K	4.7K
R393	2.2K	2.2K	2.2K	4.7K

Apply:
 CM81*ETPlus-301
 CM815ETPlus-SN1

REQD.	DWN.	CHKD.	APPD.	TITLE	HITACHI, Ltd.	YOKOHAMA WORKS DWG. No.	SH.
				DJ81A(HiEE) VIDEO CIRCUIT DIAGRAM	Tokyo, Japan	327 W161704	01/02

αβγδεζηθλμκρτσφ